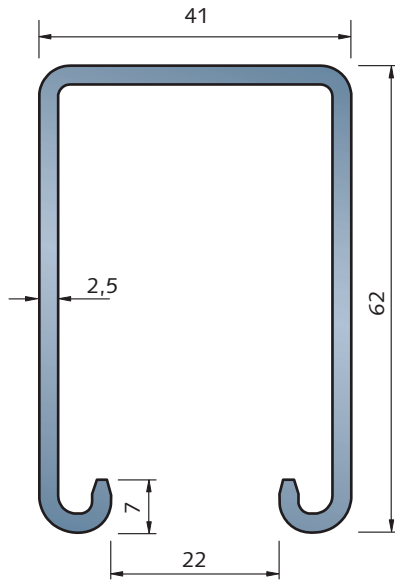


# HALFEN FRAMING CHANNELS

## Channel 41/62

### HM resp. HL 41/62



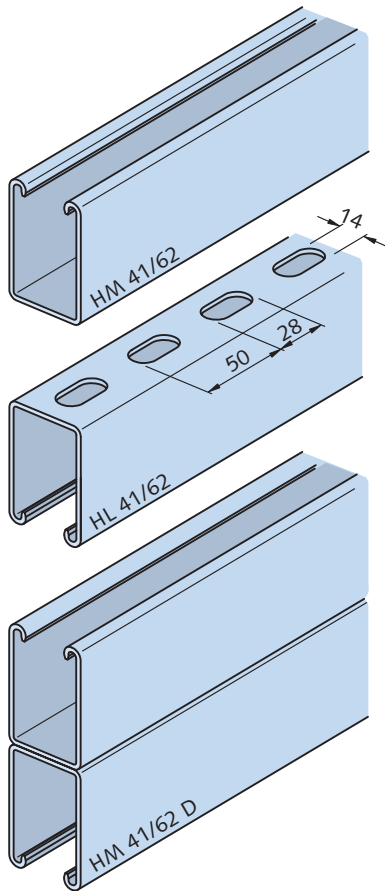
Nominal dimensions [mm]

Material, finish	Stock no.	Standard = ● To order = ○	Channel weight		Cross section		Moment of inertia		Section modulus		Max. perm. point loading		Bending capacity at span L			
			G [kg/m]	A [cm <sup>2</sup> ]	I <sub>y</sub> [cm <sup>4</sup> ]	I <sub>z</sub> [cm <sup>4</sup> ]	W <sub>y</sub> [cm <sup>3</sup> ]	W <sub>z</sub> [cm <sup>3</sup> ]	max F [kN]	≤L [cm]	1,00	2,00	3,00			
<b>HM 41/62</b> 0280. . .																
wb	140-00002	●	3,42	4,36	20,18	13,10	5,92	6,35	5,6	92,0	5,2	2,6	1,2			
sv	140-00001	●														
fv	140-00003	●														
<b>HL 41/62</b> 0281. . .																
wb	040-00001	●	3,14	3,99	17,27	13,03	5,47	6,31	5,6	81,0	4,5	2,2	1,0			
sv	040-00003	○														
fv	040-00002	●														
<b>HM 41/62 D</b> 0280. . .																
wb	170-00001	○	6,84	8,72	108,11	26,21	17,45	12,69	5,6	269,0	15,1	7,5	5,0			
fv	170-00002	○														

Length: 6000 mm Order example: **HM 41/62 - fv - 6000** or Stock no. **0280.140-00003**

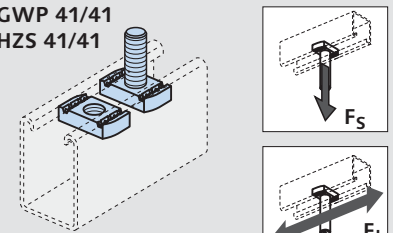
① see note ③ on p. 55

② Possible bulging, tilting and buckling must be prevented by appropriate measurements.



### Locking plates, Halfen T-head bolts

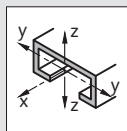
GWP 41/41  
HZS 41/41



page 31

### Other channel data, design properties

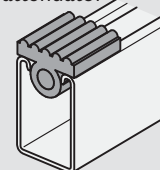
Channel data



pages 54 - 57

### Channel-accessories

SDM 41/8  
Sound attenuator



page 50

PA 41  
Channel closer strip



page 46

Subject to alterations